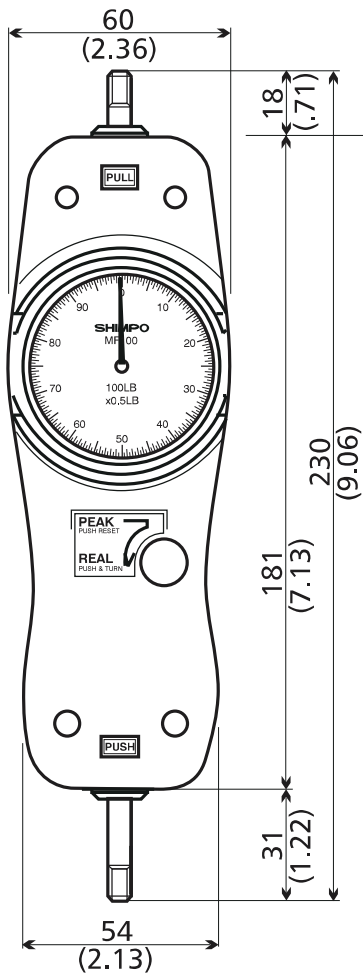
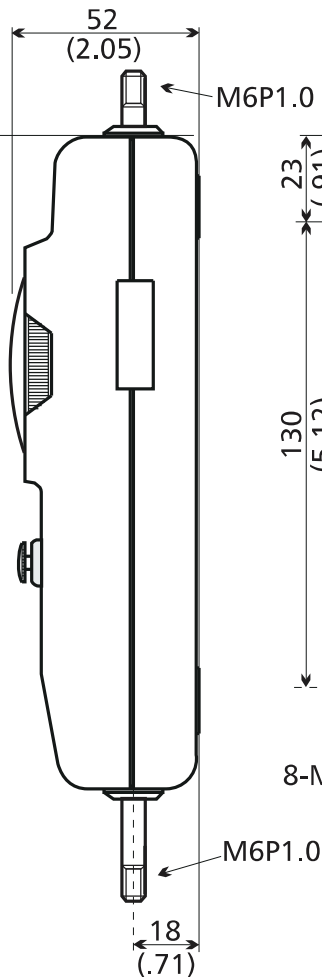


# MF DIMENSIONS

### FRONT VIEW



### RIGHT SIDE VIEW



### REAR VIEW

